

U LUM

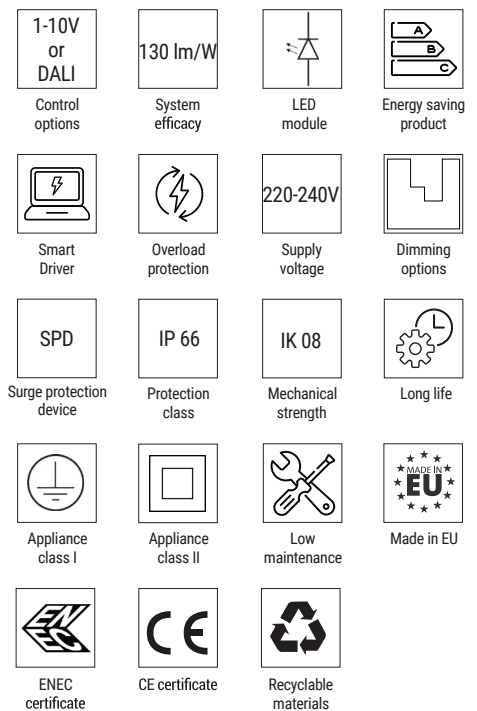


**LUMENIA
STREET**

The modern futuristic design of the U LUM light complements the aesthetics of the city and integrates well in the urban environment. U LUM LED light makes urban areas more appealing and inviting for people, while also saving energy, reducing your environmental impact and making these areas safe for children, pedestrians and cyclists.



	U LUM
System efficacy	Up to 130 lm/W
Supply voltage	120-277 VAC 50 ÷ 60 Hz
LED	135
Power	10 - 40 W
Luminous flux	1,300 - 5,200 lm
Power factor	> 0.97
EPA rating	0.248 m²
Advisable installation height	Up to 6 m
Weight	9 kg
Lifetime L80B10	> 65,000 h
CCT	3,000 K, 4,000 K; other upon request
CRI	> 80
Ingress protection	IP 66
Mechanical strength	IK 08
Surge protection options	10 kV / 10 kA
Operating temperature	-40 °C to +55 °C
Electrical / Appliance class	Class I, Class II
Dimming levels	0 - 100 %
Remote control options	Optional RF, PLC or Bluetooth
Colour (RAL)	Ral 9011
Housing material	Aluminium
Mounting	Pole 60 mm, 76mm (possible adapter use for other dimensions)
Warranty	5 years
Certificates	EN 55015:2013-08-01; EN61547:2009-08-01; EN 61000-3-2: 2006-04-01 + A1: 2009-07-01 + A2 2009-07-01; EN 61000-3-3:2013-08-01; IEC 60598-2-3:2002 (Third Edition) + A1:2011 Used in conjunction with IEC 60598-1:2014 (Eighth Edition); CE, ENEC



MAIN FEATURES

Overheat protection
5-step dimming
Constant lumen flux
Surge protection device (SPD)

APPLICATIONS

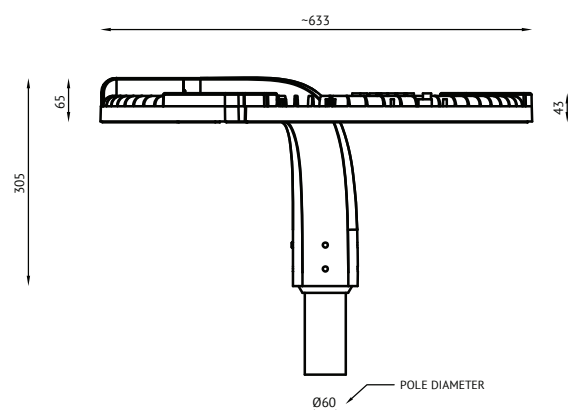
Modern urban areas
Parks and gardens
Pedestrians and cycle paths

ACCESSORIES

Optional RF, PLC
Pole mounting adapters

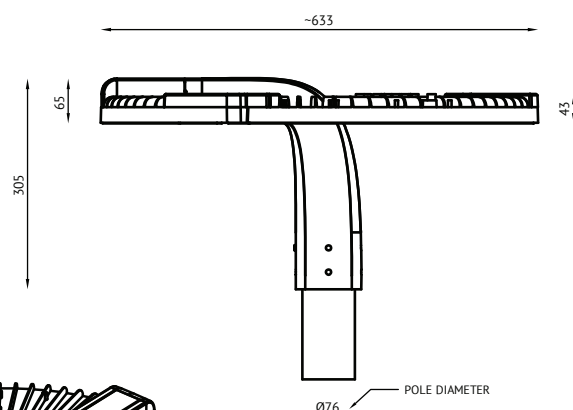
DIMENSIONS

U LUM Ø 60

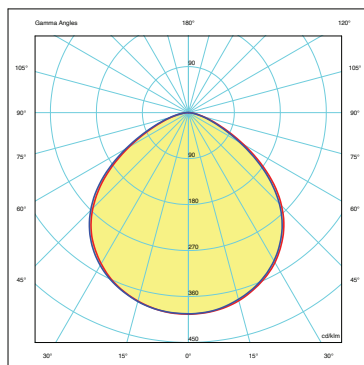


*All dimensions are in mm.

U LUM Ø 76



OPTIC



Suitable for parks and pedestrian paths.

PRODUCT VARIATIONS

Article	LED	Power [W]	Luminous flux [lm]	Efficacy [lm/W]	Forward current [mA]	Control	Luminaires per fuse	Appliance class
U LUM135.010.001.408	135	10	Do 1300	130	20	DALI and 1-10V	< 50	Razred I / Razred II
U LUM135.025.001.408	135	25	Do 3250	130	30	DALI and 1-10V	< 21	Razred I / Razred II
U LUM135.040.001.408	135	40	Do 5200	130	50	DALI and 1-10V	< 21	Razred I / Razred II
U LUM135.010.001.308	135	10	Do 1200	120	20	DALI and 1-10V	< 50	Razred I / Razred II
U LUM135.025.001.308	135	25	Do 3000	120	30	DALI and 1-10V	< 21	Razred I / Razred II
U LUM135.040.001.308	135	40	Do 4800	120	50	DALI and 1-10V	< 21	Razred I / Razred II

* Luminous flux is valid for CCT 4000K (408) and 3000K (308)

The latest validated data is available at www.lumenia.com.

LUMENIA d.o.o., Kandrše 7, 1252 Vače, Slovenia
Tel: +386 3 567 07 96, e-mail: info@lumenia.com
www.lumenia.com