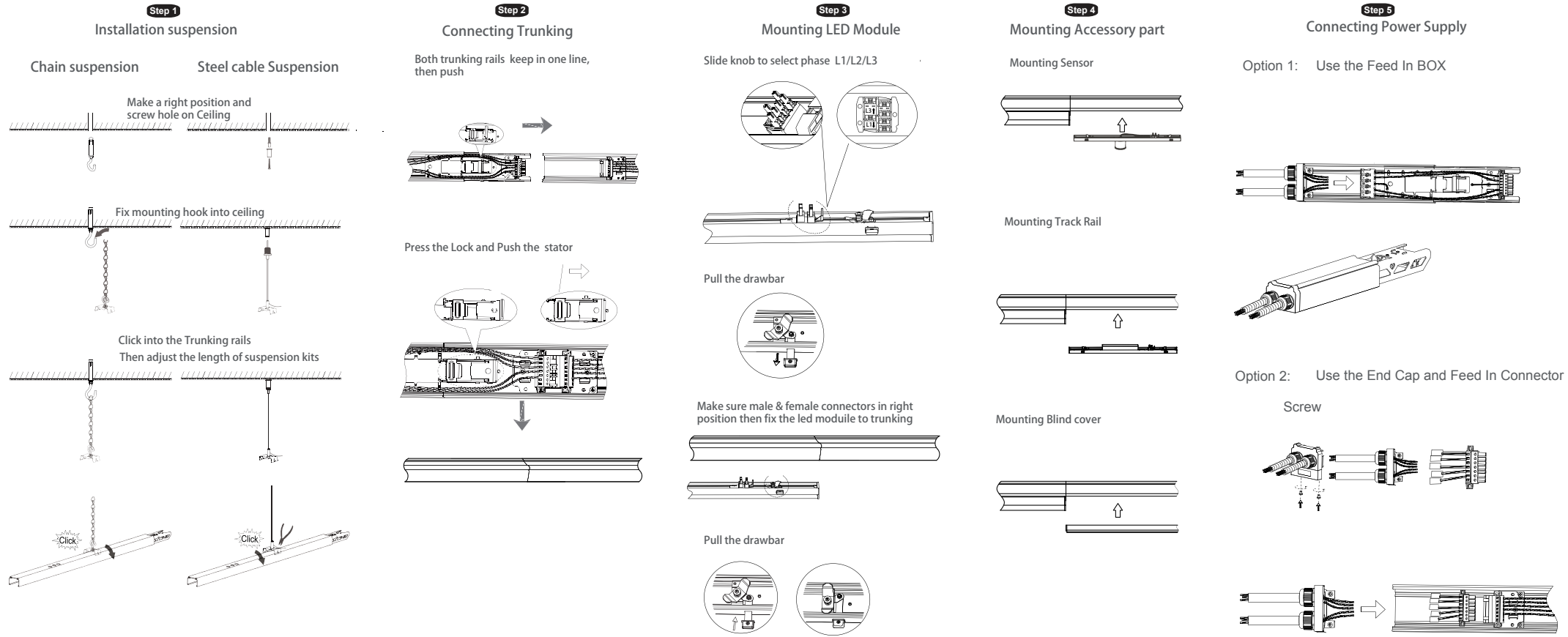
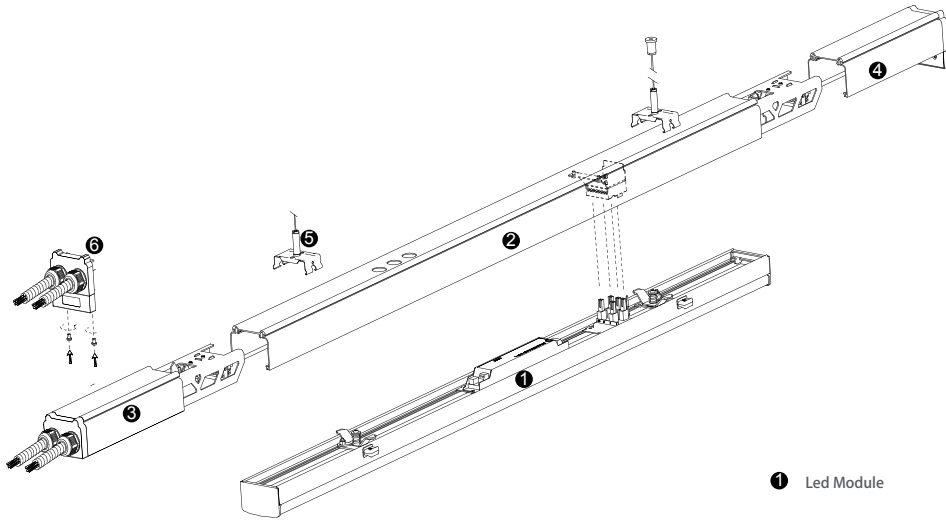


Installation Drawing



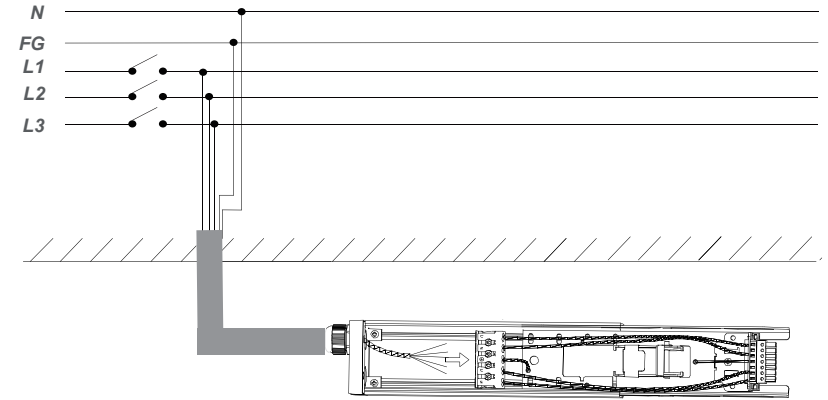
LED Linear Lighting System



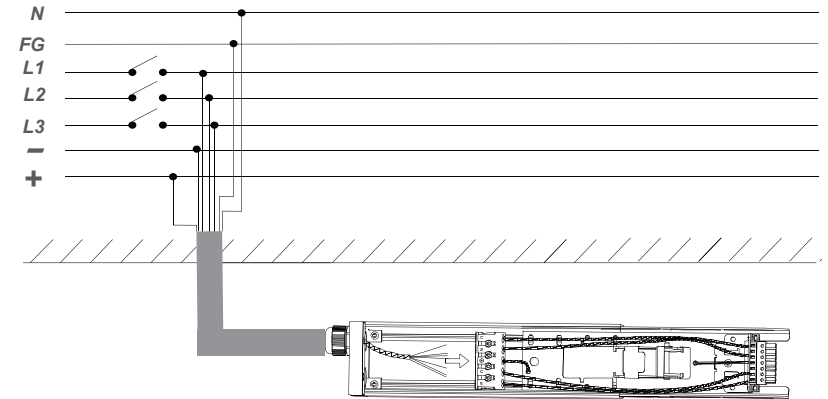
- ❶ Led Module
- ❷ Trunking Rail
- ❸ Feed In Box
- ❹ Feed End Box
- ❺ Installation Kits
- ❻ End Cap

. Wire diagram

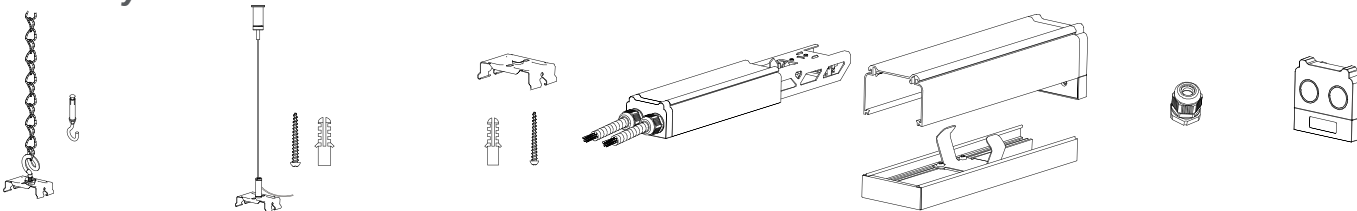
. 5 Wires



. 7 Wires



Accessory



Chain suspension Kits Steel cable Suspension Kits Ceiling Kits Feen In Box Feen End Box PG13.5 End Cap

Safety notes:

The installation and connection of the luminaire must be done when power switched off and by qualified people.

Make sure no electrical power during installation .

Max current should not exceed 16A in one power feed in circuit.